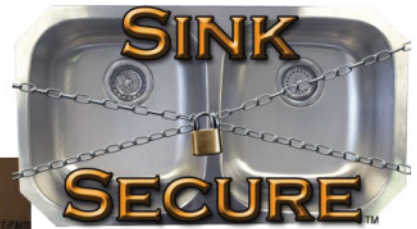


# Installation Instructions

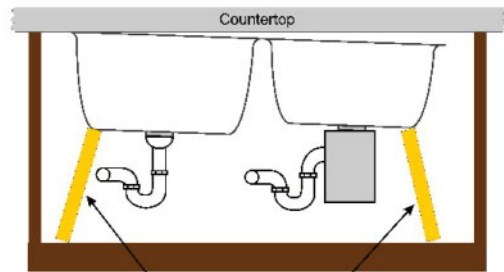


1. Clean the top, flat rim of the fallen sink (identified with the white tape in the photo) to remove old silicone or debris with alcohol or acetone.

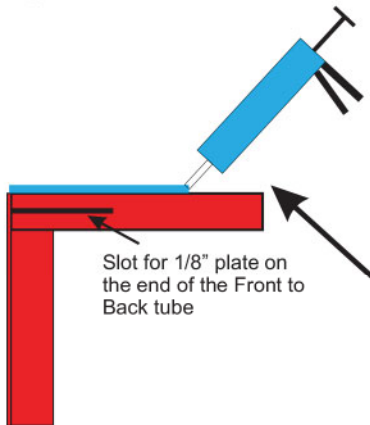


2. Place 100% silicone on the top, flat rim of the sink and squeeze the sink into the proper position, observing the alignment of the sink opening and the cut-out hole from the top of the counter-top material. Wipe off excess silicone immediately from where the sink meets the counter-top.

3. Temporarily brace the fallen sink into position with wooden 2x4s or any other support material to hold the sink while the M-Brace is being installed.

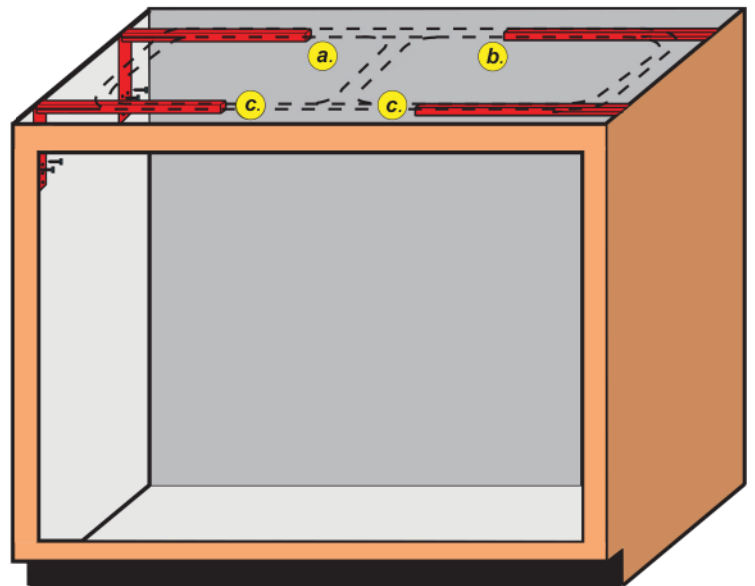


STEP 1  
Add 2x4 temporary supports

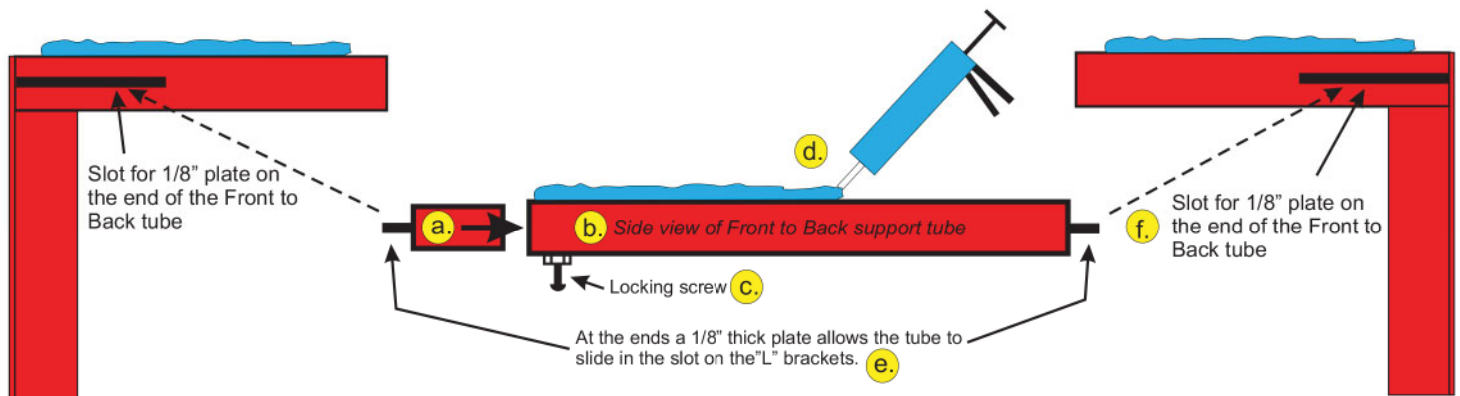


4. Place a bead of silicone on the top of one of the "L" bracket 1"x1" tubes as shown.

5. Place the "L" bracket into position on the rear side of the sink with the 6" slot on the side of the tube facing the front of the cabinet (towards the cabinet doors) and screw two of the mounting screws through the angle support into the side of the cabinet as shown. **a.**
6. Using an "L" bracket with the 6" slot on the opposite side of the 1"x1" tube, repeat step 3 & 4 on the opposite rear side of the sink. **b.**
7. After placing the two rear "L" brackets into position, follow the same steps to install the left and right front "L" brackets. **c.**
8. Once all four "L" brackets are installed with two screws, secure the remaining four screws into each "L" bracket.



# Installation Instructions



9. Using either front-to-back tube, insert the smaller square adjustable section **a.** into the open end of the larger tube **b.** and hand-tighten the locking screw **c.** temporarily.
10. Apply 100% silicone **d.** to the top of the tube opposite the set screw.
11. Place one of the flat ends **e.** of the front-to-back tube in the slot **f.** in the rear "L" bracket on either side of the sink and extend or shorten the smaller section **a.** to allow the flat end on the opposite side to fit into the front "L" bracket slot.
12. Extend the front-to-back tube as fully as possible against the "L" brackets and tighten the locking screw. **c.**
13. Duplicate steps 9 -12 for the front-to-back tube on the other side of the sink.

